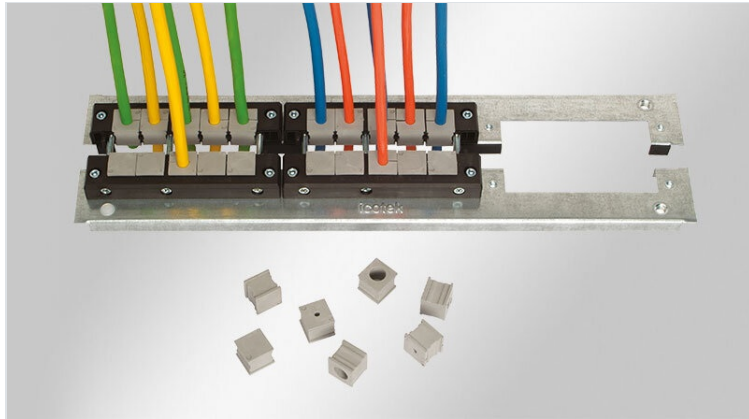


KDR 2 split gland plates

for Rittal TS 8 & Rittal VX25 enclosures / IP54



IP54

RoHS
compliant

REACH
COMPLIANCE

Made in
Germany

Split, 2-part gland plates KDR 2 with pre-cut holes for [KEL](#) and [KEL-JUMBO cable entry systems](#).

Integrated screw holes provide quick and easy installation of KEL frames.

Specifications

IP rating (EN 60529)	IP54
Material	Steel, zinc plated

Advantages & benefits

- During assembly, almost the complete base of the enclosure can be used for installation of cables
- Even large connectors can be installed easily
- Subsequent assembly possible
- No additional sheet metal work required
- Cut-outs, which are no longer required, are covered with metal blank plates Type BPM

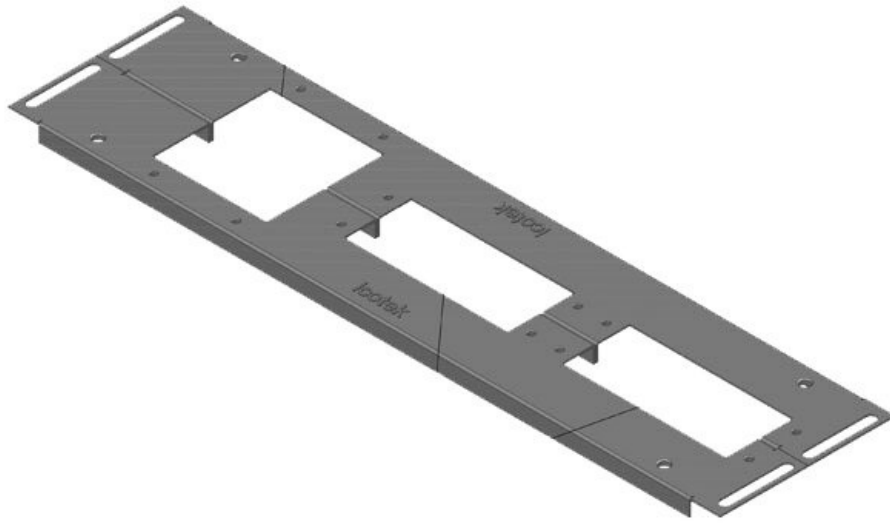
Product types & sizes

KDR2-VX25-600-44400



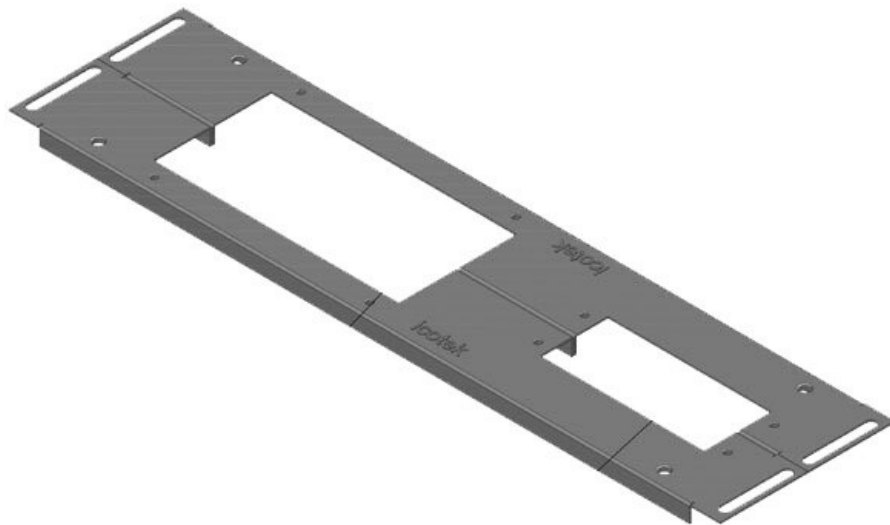
Part No.	44400	Total length	488 mm
EAN	4251269320	gland plate	
	262	For enclosure	600 mm
Package	1	width	
quantity		Sight size of	452 mm
Height	12 mm	base opening	
Suitable for	Rittal VX25	Suitable for	3 x KEL 24
enclosure		cable entry	
Length	488 mm	systems:	
Width	100 mm		

KDR2-VX25-600-44401



Part No.	44401	Total length	488 mm
EAN	4251269320	gland plate	
	279	For enclosure	600 mm
Package	1	width	
quantity		Sight size of	452 mm
Height	12 mm	base opening	
Suitable for	Rittal VX25	Suitable for	2 x KEL 24, 1
enclosure		cable entry	x KEL-JUMBO
Length	488 mm	systems:	1
Width	120 mm		

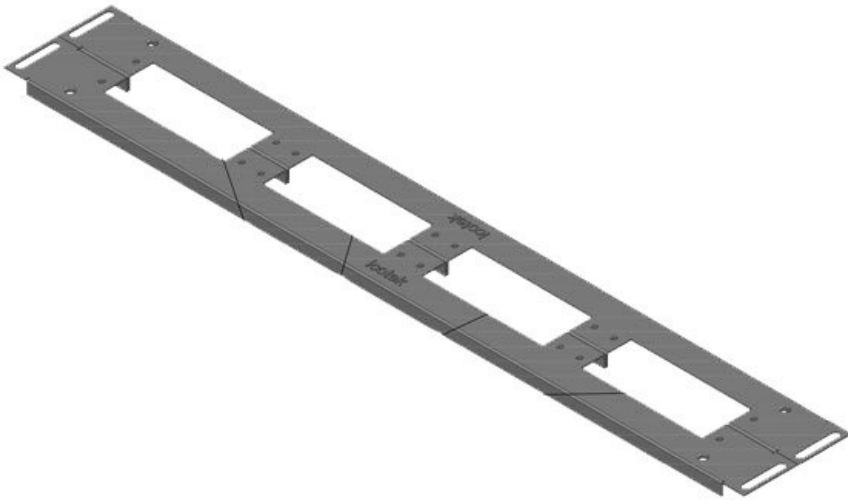
KDR2-VX25-600-44402



Part No.	44402	Total length	488 mm
EAN	4251269320	gland plate	
	286	For enclosure	600 mm
Package	1	width	
quantity		Sight size of	452 mm
Height	12 mm	base opening	
Suitable for	Rittal VX25	Suitable for	1 x KEL 24, 1
enclosure		cable entry	x KEL-JUMBO
Length	488 mm	systems:	2
Width	120 mm		

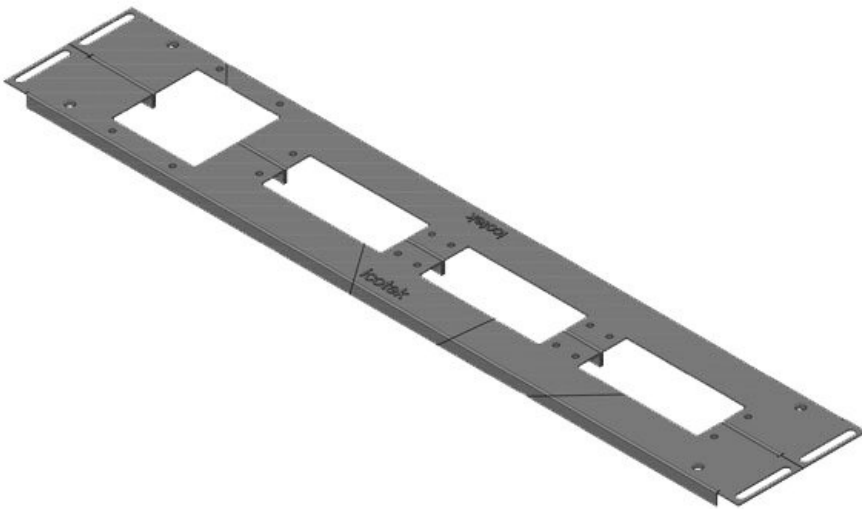
KDR2-VX25-600-44403

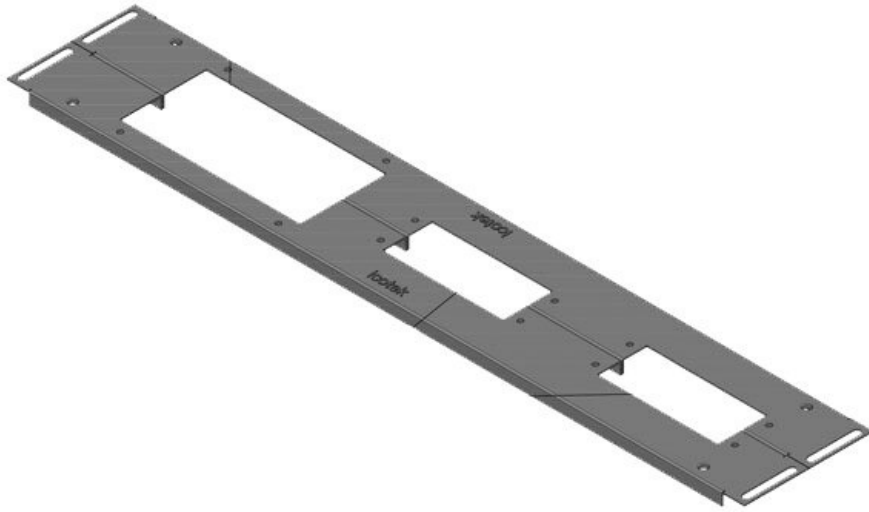
Part No.	44403	Total length	688 mm
EAN	4251269320	gland plate	
	293	For enclosure	800 mm
Package	1	width	
quantity		Sight size of	652 mm
Height	12 mm	base opening	
Suitable for	Rittal VX25	Suitable for	4 × KEL 24
enclosure		cable entry	
Length	688 mm	systems:	
Width	100 mm		



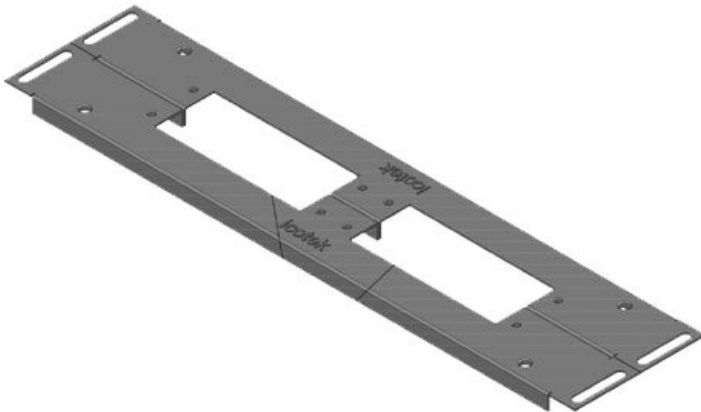
KDR2-VX25-600-44404

Part No.	44404	Total length	688 mm
EAN	4251269320	gland plate	
	309	For enclosure	800 mm
Package	1	width	
quantity		Sight size of	652 mm
Height	12 mm	base opening	
Suitable for	Rittal VX25	Suitable for	3 × KEL 24, 1
enclosure		cable entry	× KEL-JUMBO
Length	688 mm	systems:	1
Width	120 mm		





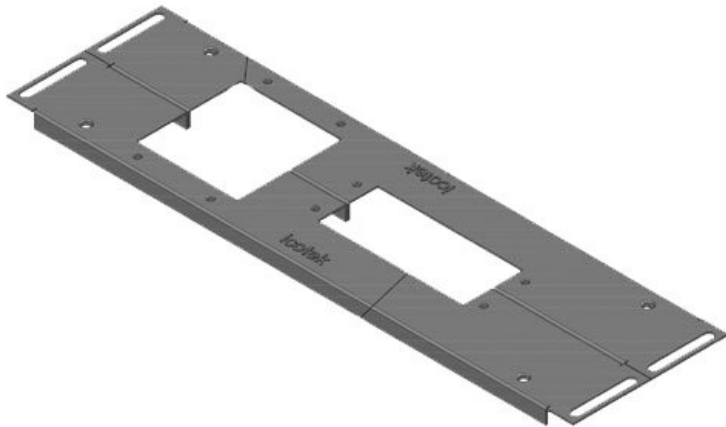
Part No.	44405	Total length	688 mm
EAN	4251269320	gland plate	
	316	For enclosure	800 mm
Package	1	width	
quantity		Sight size of	652 mm
Height	12 mm	base opening	
Suitable for	Rittal VX25	Suitable for	2 x KEL 24, 1
enclosure		cable entry	x KEL-JUMBO
Length	688 mm	systems:	2
Width	120 mm		



Part No.	44406	Total length	438 mm
EAN	4251269320	gland plate	
	323	For enclosure	1.000 mm
Package	1	width	
quantity		Sight size of	402 mm
Height	12 mm	base opening	
Suitable for	Rittal VX25	Division bar	yes
enclosure		Suitable for	2 x KEL 24
Length	438 mm	cable entry	
Width	100 mm	systems:	

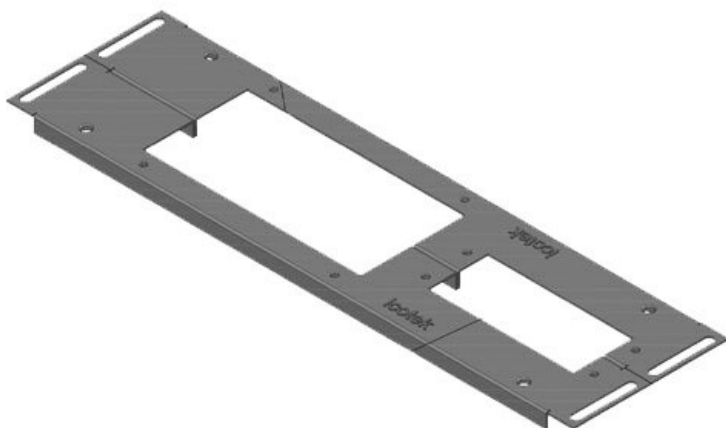
KDR2-VX25-1000-44407

Part No.	44407	Total length	438 mm
EAN	4251269320	gland plate	
	330	For enclosure	1.000 mm
Package	1	width	
quantity		Sight size of	402 mm
Height	12 mm	base opening	
Suitable for	Rittal VX25	Division bar	yes
enclosure		Suitable for	1 x KEL 24, 1
Length	438 mm	cable entry	x KEL-JUMBO
Width	120 mm	systems:	1

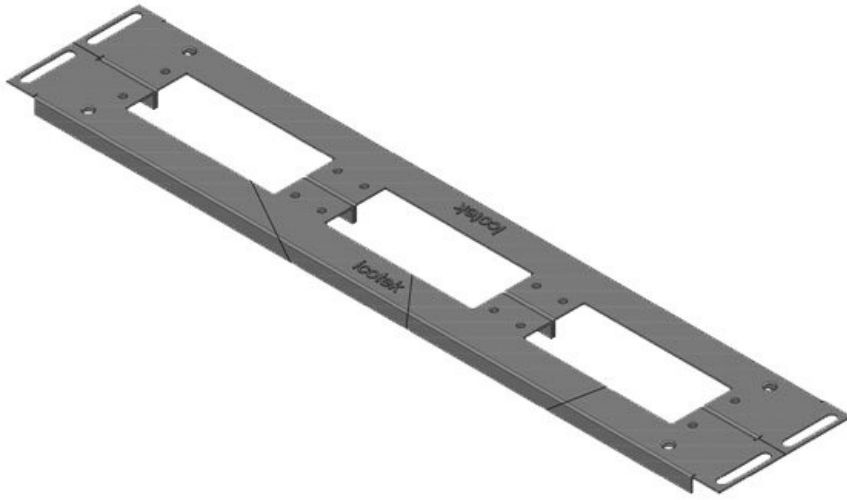


KDR2-VX25-1000-44408

Part No.	44408	Total length	438 mm
EAN	4251269320	gland plate	
	347	For enclosure	1.000 mm
Package	1	width	
quantity		Sight size of	402 mm
Height	12 mm	base opening	
Suitable for	Rittal VX25	Division bar	yes
enclosure		Suitable for	1 x KEL 24, 1
Length	438 mm	cable entry	x KEL-JUMBO
Width	120 mm	systems:	2

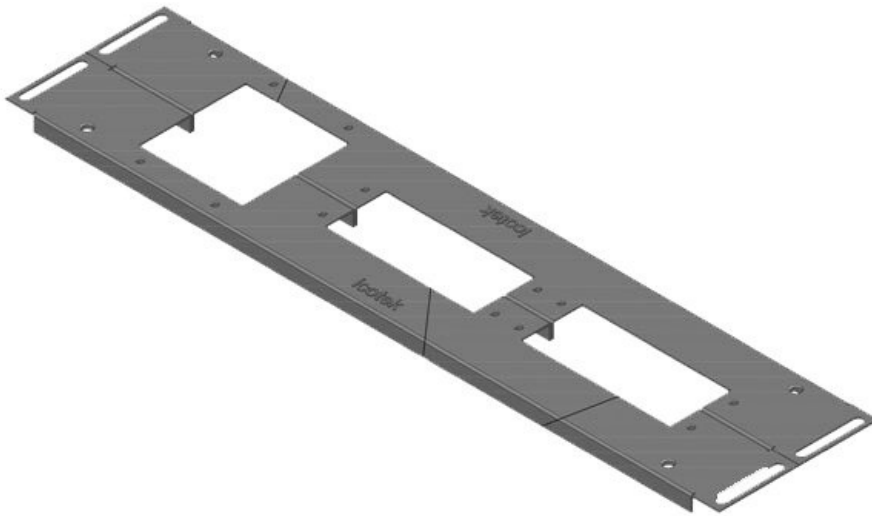


KDR2-VX25-1200-44409



Part No.	44409	Total length	538 mm
EAN	4251269320	gland plate	
	354	For enclosure	1.200 mm
Package	1	width	
quantity		Sight size of	502 mm
Height	12 mm	base opening	
Suitable for	Rittal VX25	Suitable for	3 x KEL 24
enclosure		cable entry	
Length	538 mm	systems:	
Width	100 mm		

KDR2-VX25-1200-44410



Part No.	44410	Total length	538 mm
EAN	4251269320	gland plate	
	361	For enclosure	1.200 mm
Package	1	width	
quantity		Sight size of	502 mm
Height	12 mm	base opening	
Suitable for	Rittal VX25	Suitable for	2 x KEL 24, 1
enclosure		cable entry	x KEL-JUMBO
Length	538 mm	systems:	1
Width	120 mm		

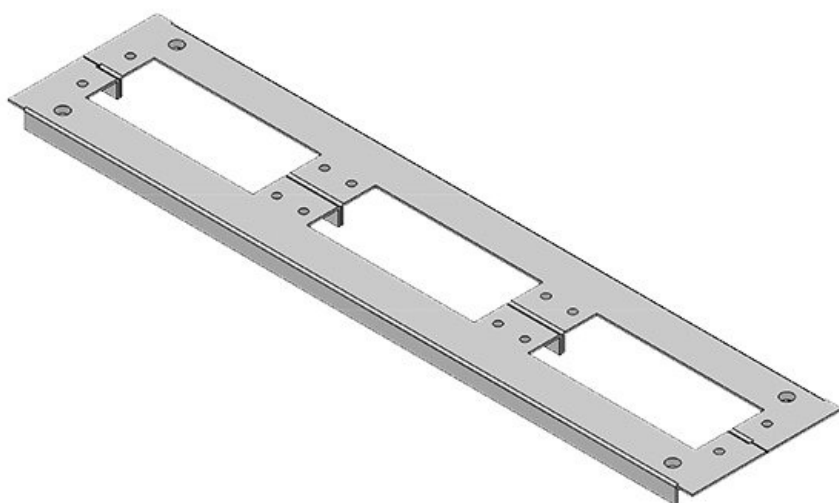
KDR2-VX25-1200-44411

Part No.	44411	Total length	538 mm
EAN	4251269320	gland plate	
	378	For enclosure	1.200 mm
Package	1	width	
quantity		Sight size of	502 mm
Height	12 mm	base opening	
Suitable for	Rittal VX25	Suitable for	1 x KEL 24, 1
enclosure		cable entry	x KEL-JUMBO
Length	538 mm	systems:	2
Width	120 mm		

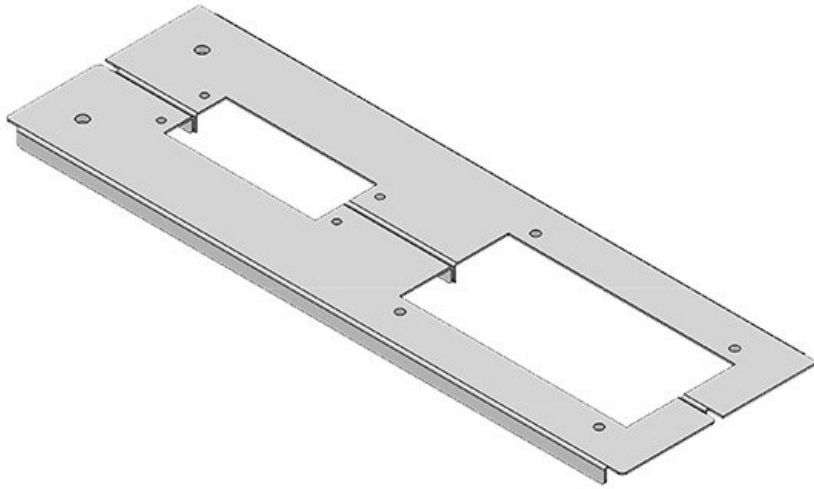


KDR2-TS8-600-42924

Part No.	42924	Total length	458 mm
EAN	4251269309	gland plate	
	397	For enclosure	600 mm
Package	1	width	
quantity		Sight size of	435 mm
Height	12 mm	base opening	
Suitable for	Rittal TS 8	Suitable for	3 x KEL 24
enclosure		cable entry	
Length	458 mm	systems:	
Width	100 mm		

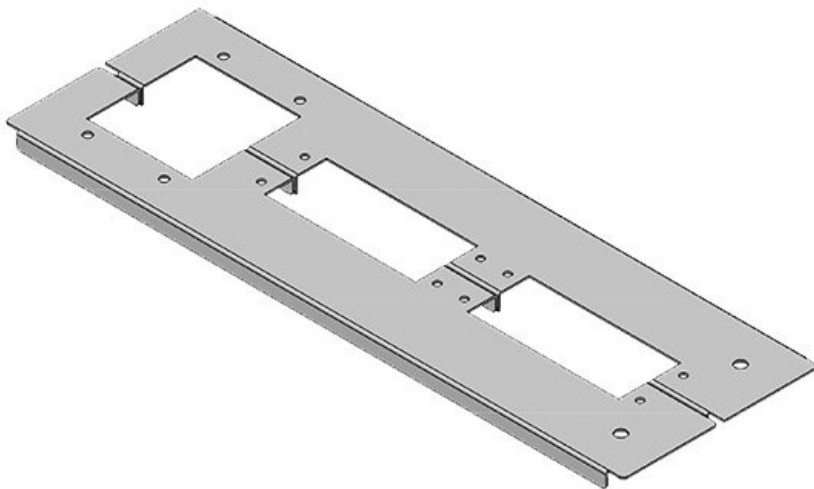


KDR2-TS8-600-42941



Part No.	42941	Total length	458 mm
EAN	4251269309	gland plate	
	403	For enclosure	600 mm
Package	1	width	
quantity		Sight size of	435 mm
Height	12 mm	base opening	
Suitable for	Rittal TS 8	Suitable for	1 x KEL 24, 1
enclosure		cable entry	x KEL-JUMBO
Length	458 mm	systems:	2
Width	148,5 mm		

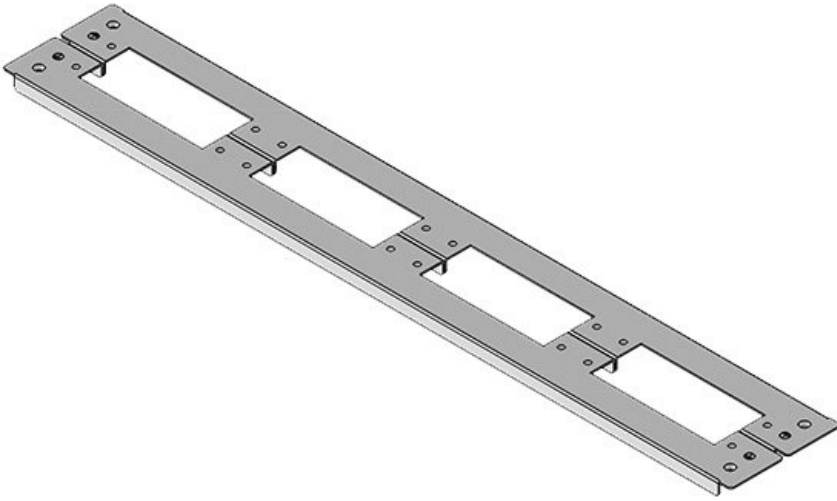
KDR2-TS8-600-42953



Part No.	42953	Total length	458 mm
EAN	4251269309	gland plate	
	441	For enclosure	600 mm
Package	1	width	
quantity		Sight size of	435 mm
Height	12 mm	base opening	
Suitable for	Rittal TS 8	Suitable for	2 x KEL 24, 1
enclosure		cable entry	x KEL-JUMBO
Length	458 mm	systems:	1
Width	148,5 mm		

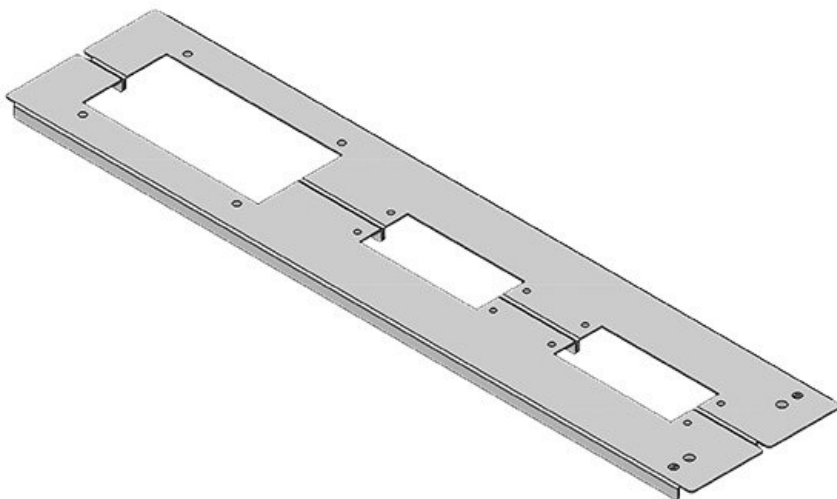
KDR2-TS8-800-42922

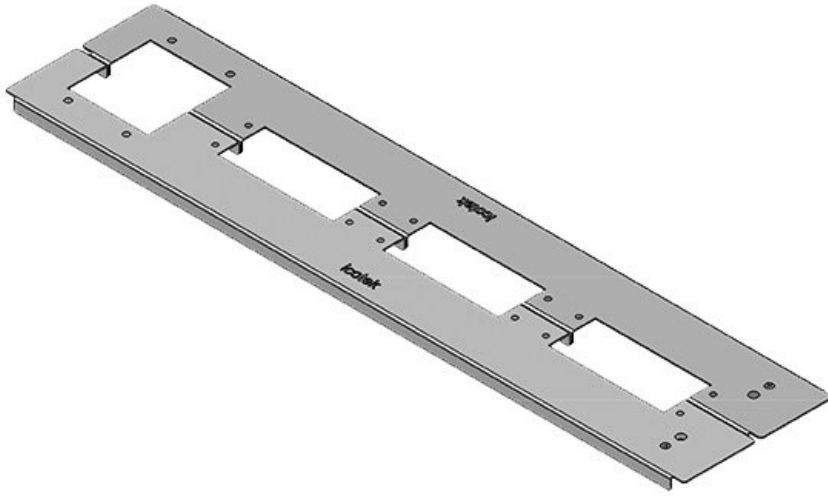
Part No.	42922	Total length	658 mm
EAN	4251269309	gland plate	
	373	For enclosure	800 mm
Package	1	width	
quantity		Sight size of	635 mm
Height	12 mm	base opening	
Suitable for	Rittal TS 8	Suitable for	4 × KEL 24
enclosure		cable entry	
Length	658 mm	systems:	
Width	100 mm		



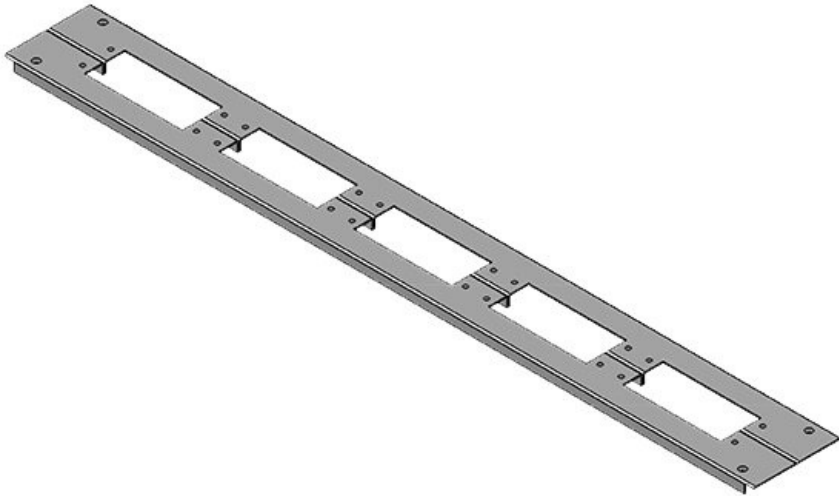
KDR2-TS8-800-42945

Part No.	42945	Total length	658 mm
EAN	4251269309	gland plate	
	427	For enclosure	800 mm
Package	1	width	
quantity		Sight size of	635 mm
Height	12 mm	base opening	
Suitable for	Rittal TS 8	Suitable for	2 × KEL 24, 1
enclosure		cable entry	× KEL-JUMBO
Length	658 mm	systems:	2
Width	148,5 mm		





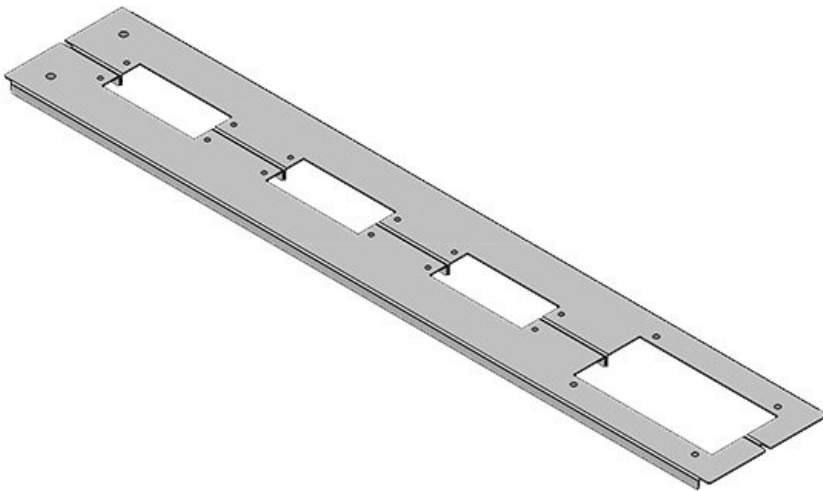
Part No.	42954	Total length	658 mm
EAN	4251269309	gland plate	
	458	For enclosure	800 mm
Package	1	width	
quantity		Sight size of	635 mm
Height	12 mm	base opening	
Suitable for	Rittal TS 8	Suitable for	3 x KEL 24, 1
enclosure		cable entry	x KEL-JUMBO
Length	658 mm	systems:	1
Width	148,5 mm		



Part No.	42923	Total length	858 mm
EAN	4251269309	gland plate	
	380	For enclosure	1.000 mm
Package	1	width	
quantity		Sight size of	835 mm
Height	12 mm	base opening	
Suitable for	Rittal TS 8	Division bar	no
enclosure		Suitable for	5 x KEL 24
Length	858 mm	cable entry	
Width	100 mm	systems:	

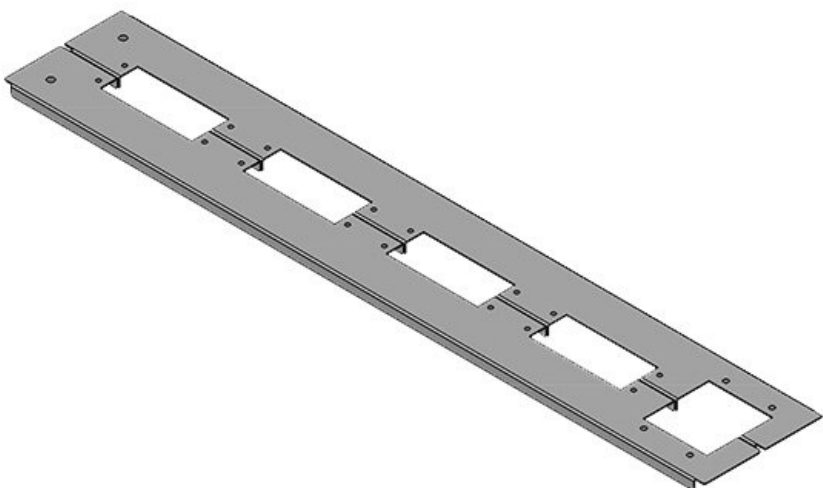
KDR2-TS8-1000-42952

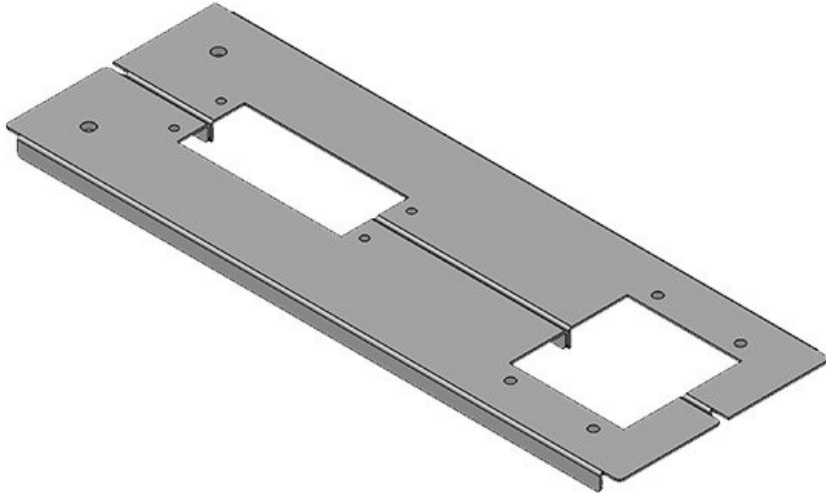
Part No.	42952	Total length	858 mm
EAN	4251269309434	gland plate	
Package quantity	1	For enclosure width	1.000 mm
Height	12 mm	Sight size of base opening	835 mm
Suitable for enclosure	Rittal TS 8	Division bar	no
Length	858 mm	Suitable for cable entry systems:	3 × KEL 24, 1 × KEL-JUMBO
Width	148,5 mm		2



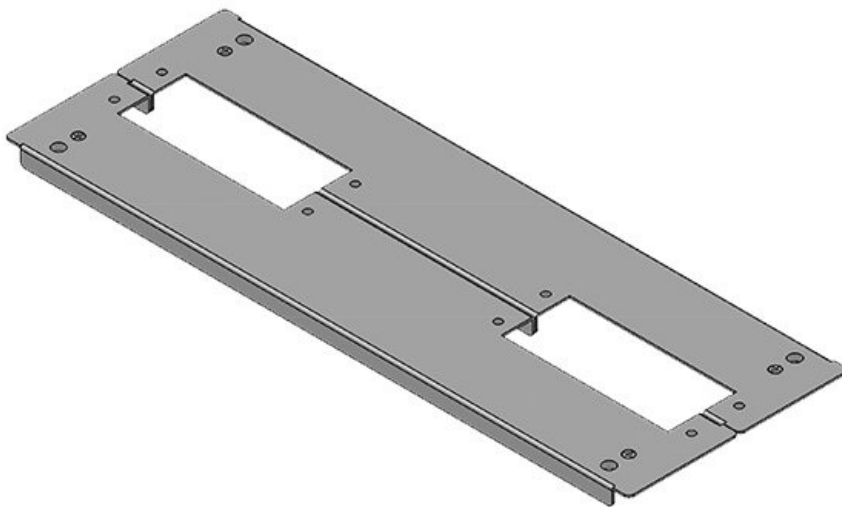
KDR2-TS8-1000-42955

Part No.	42955	Total length	858 mm
EAN	4251269309465	gland plate	
Package quantity	1	For enclosure width	1.000 mm
Height	12 mm	Sight size of base opening	835 mm
Suitable for enclosure	Rittal TS 8	Division bar	no
Length	858 mm	Suitable for cable entry systems:	4 × KEL 24, 1 × KEL-JUMBO
Width	148,5 mm		1





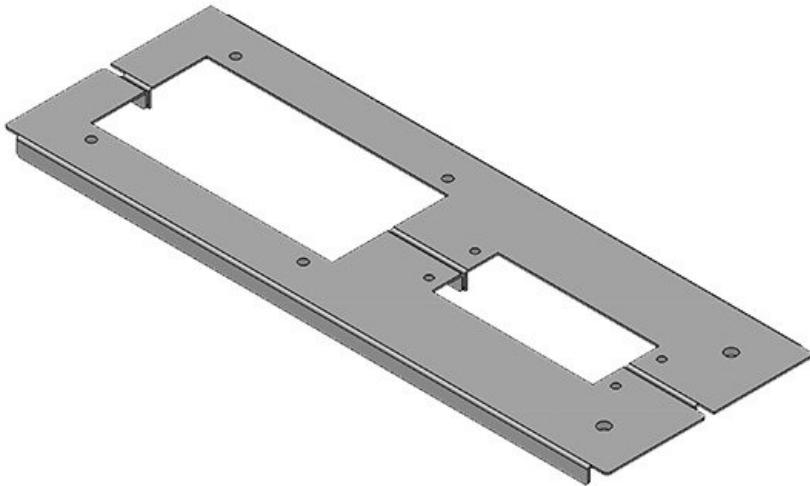
Part No.	42957	Total length	420 mm
EAN	4251269309	gland plate	
	489	For enclosure	1.000 mm
Package	1	width	
quantity		Sight size of	398 mm
Height	12 mm	base opening	
Suitable for	Rittal TS 8	Division bar	yes
enclosure		Suitable for	1 × KEL 24, 1
Length	420 mm	cable entry	× KEL-JUMBO
Width	148,5 mm	systems:	1



Part No.	42958	Total length	420 mm
EAN	4251269309	gland plate	
	496	For enclosure	1.000 mm
Package	1	width	
quantity		Sight size of	398 mm
Height	12 mm	base opening	
Suitable for	Rittal TS 8	Division bar	yes
enclosure		Suitable for	2 × KEL 24
Length	420 mm	cable entry	
Width	148,5 mm	systems:	

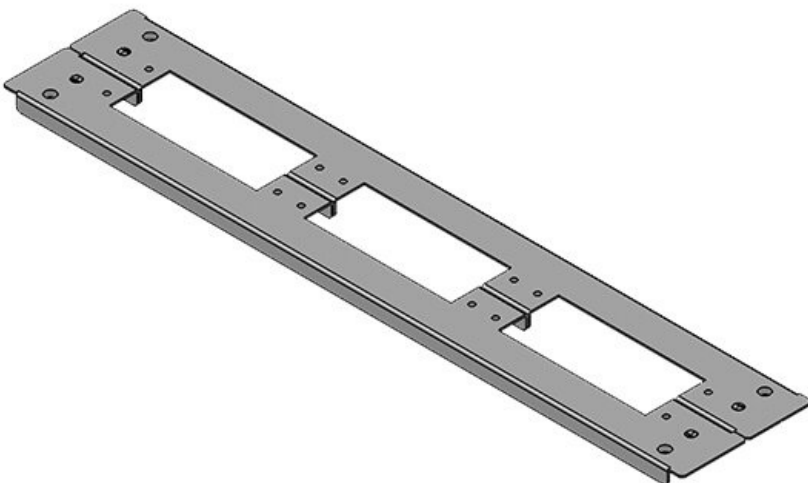
KDR2-TS8-1000-42959

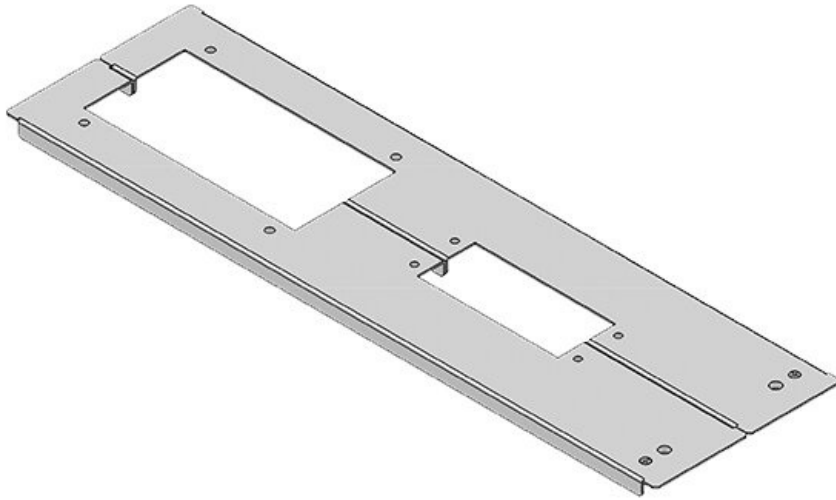
Part No.	42959	Total length	420 mm
EAN	4251269309	gland plate	
	502	For enclosure	1.000 mm
Package	1	width	
quantity		Sight size of	398 mm
Height	12 mm	base opening	
Suitable for	Rittal TS 8	Division bar	yes
enclosure		Suitable for	1 x KEL 24, 1
Length	420 mm	cable entry	x KEL-JUMBO
Width	148,5 mm	systems:	2



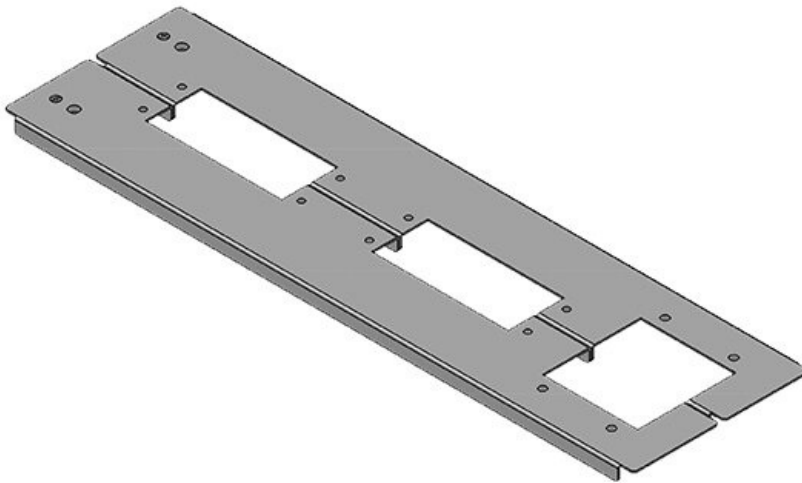
KDR2-TS8-1200-42920

Part No.	42920	Total length	518 mm
EAN	4251269309	gland plate	
	366	For enclosure	1.200 mm
Package	1	width	
quantity		Sight size of	495 mm
Height	12 mm	base opening	
Suitable for	Rittal TS 8	Suitable for	3 x KEL 24
enclosure		cable entry	
Length	518 mm	systems:	
Width	100 mm		





Part No.	42943	Total length	518 mm
EAN	4251269309	gland plate	
	410	For enclosure	1.200 mm
Package	1	width	
quantity		Sight size of	495 mm
Height	12 mm	base opening	
Suitable for	Rittal TS 8	Suitable for	1 x KEL 24, 1
enclosure		cable entry	x KEL-JUMBO
Length	518 mm	systems:	2
Width	148,5 mm		



Part No.	42956	Total length	518 mm
EAN	4251269309	gland plate	
	472	For enclosure	1.200 mm
Package	1	width	
quantity		Sight size of	495 mm
Height	12 mm	base opening	
Suitable for	Rittal TS 8	Suitable for	2 x KEL 24, 1
enclosure		cable entry	x KEL-JUMBO
Length	518 mm	systems:	1
Width	148,5 mm		